

PRODUCT INFORMATION PACKET

Model No: 145TTDR4354

Catalog No: U135A

Close-Coupled Pump Motor, 1.50 & 1 HP, 3 Ph, 60 & 50 Hz, 230/460 & 190/380 V, 1800 & 1500 RPM,
145JP Frame, DP



Regal and Marathon are trademarks of Regal Rexnord Corporation or one of its affiliated companies.

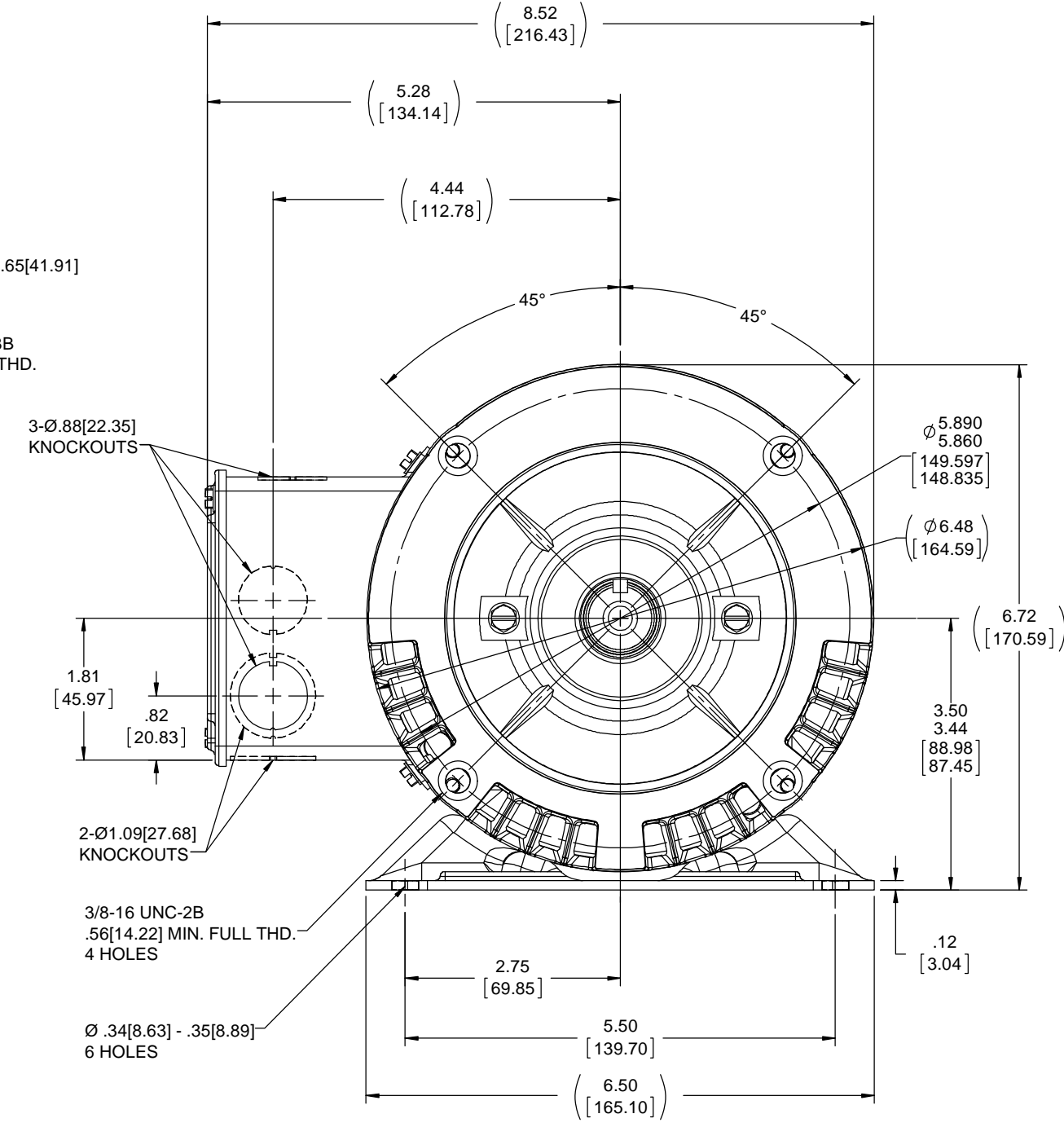
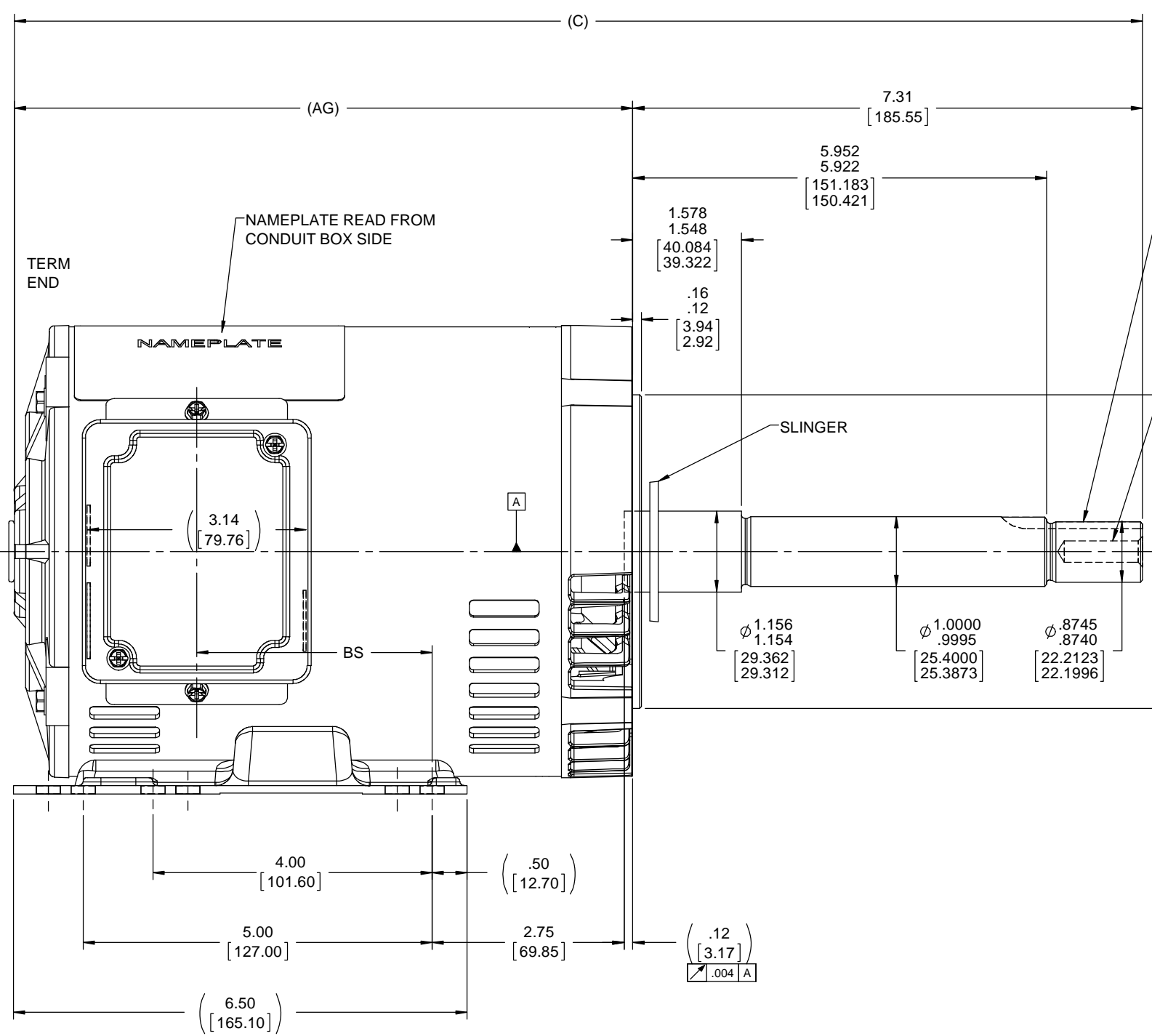
©2023 Regal Rexnord Corporation, All Rights Reserved. MC017097E

Nameplate Specifications

Phase	3	Output HP	1.50 & 1 Hp
Output KW	1.1 & 0.75 kW	Voltage	230/460 & 190/380 V
Speed	1750 & 1460 rpm	Service Factor	1.15 & 1.15
Frame	145JP	Enclosure	Drip Proof
Thermal Protection	No Protection	Efficiency	84 & 82.5 %
Ambient Temperature	40 °C	Frequency	60 & 50 Hz
Current	4.4/2.2 & 3.8/1.9 A	Power Factor	78.5
Duty	Continuous	Insulation Class	B
Design Code	B	KVA Code	M
Drive End Bearing Size	6205	Opp Drive End Bearing Size	6203
UL	Recognized	CSA	Y
CE	Y	IP Code	22
Number of Speeds	1		

Technical Specifications

Electrical Type	Squirrel Cage Induction Run	Starting Method	Across The Line
Poles	4	Rotation	Reversible
Resistance Main	10.83 Ohms	Mounting	Rigid Base
Motor Orientation	Horizontal	Drive End Bearing	Ball
Opp Drive End Bearing	Ball	Frame Material	Rolled Steel
Shaft Type	JP	Overall Length	17.68 in
Frame Length	8.56 in	Shaft Diameter	0.875 in
Shaft Extension	7.31 in	Assembly/Box Mounting	F1 ONLY
Outline Drawing	A-100132-856	Connection Drawing	A-EE7308



DASH NO.	"C"	"AG"	"BS"
706	16.17[410.71]	8.87[225.29]	3.37[85.59]
756	16.67[423.41]	9.37[237.99]	3.87[98.29]
806	17.17[436.11]	9.87[250.69]	4.37[110.99]
856	17.67[448.81]	10.37[263.39]	4.87[123.69]
906	18.17[461.51]	10.87[276.09]	5.37[136.39]

NOTES:
CONDUIT BOX CAN BE ROTATED IN 180° STEPS.

DRAWING REVISION N	REVISION BY A. KEETHA	DATE 12/29/2017	TOLERANCES UNLESS OTHERWISE SPECIFIED: DEC. INCH mm ANGLE .X ±0.1 [±2.5] 27 30° .XX ±0.03 [±0.76] .XXX ±0.005 [±0.127] XXXX ±0.0005 [±0.0127]	DRAWN BY BRH	DATE 11/02/1995	APPROVED BY PST	DATE 04/11/2018	APPROVED BY GK	DATE 11/06/1995	REFERENCE	REGAL BELLOI AMERICA, INC.™ Regal Beloit America, Inc.
ECO DESCRIPTION ECO-0143026 OUTLINE CONVERSION PROJECT			REMOVE BURRS & BREAK SHARP EDGES: .003/.015 [0.076/.381] X 45° CORNER FILLETS: R.02 [51] MACHINED SURFACES: .200/INCR/ MIN	DESCRIPTION OUTLINE		140 FR.-BB-DR.PR.-3Ø-C' FACE-JP EXT.		MATERIAL		PROCESS/FINISH	SIZE D
THIRD ANGLE PROJECTION										DRAWING NUMBER 100132	SHEET 1 OF 1



NO.		REVISION		BY & DATE		TOLERANCES UNLESS SPECIFIED		Regal Beloit America, Inc.	DRAWN RM 11/20/1990		
						DEC.	INCHES		CHK	ML	
5	CHG TO REGAL LOGO	SL	09/10/2015	AB		DEC.	INCHES		CHK	ML 11/21/1990	
4	REVISED IEC NOTATIONS	MSG	11/15/2011	CMN	.X		±.1		APPD	SAS 04/24/2003	
3	ADDED IEC NOTATIONS... (U1), (V1) ETC. MU95194	MSG	5/10/2010	MJS	.XX		±.02	TITLE CONNECTION DIAGRAM		SCALE 1=1	
2	ADDED THE OPTIONAL CORD CONNECTION MU46318	RDH	04/24/2003	DRS	.XXX		±.005	3Ø - DUAL VOLTAGE MOTOR		REF	
1	REDRAWN	RM	11/20/1990		.XXXX		±.0005	MAT'L.		FMF	
						CHK	ANG	±7'30"	FINISH	PREV	
THIS DRAWING IN DESIGN AND DETAIL IS OUR PROPERTY AND MUST NOT BE USED EXCEPT IN CONNECTION WITH OUR WORK ALL RIGHTS OF DESIGN AND INVENTION ARE RESERVED THIS IS AN ELECTRONICALLY GENERATED DOCUMENT - DO NOT SCALE THIS PRINT						RFP	CAD FILE ee7308		SIZE	DRAWING NO. PAGE OF	REV.
						DIST	WP	A	EE7308	5	

EC Declaration of Conformity

The undersigned representing
the manufacturer:

Regal Beloit America
100 East Randolph St.
Wausau, WI 54401

and the authorized representative
established within the Community:

Marathon Electric UK
6F Thistleton Road Ind. Estate
Market Overton
Oakham, Rutland LE15 7PP UK

are committed to providing customers with products that comply with applicable regulations and international protocols to which they are subject, including the requirements of the European Parliament Directive on the Harmonization of the laws relating to electrical equipment designed for use within certain voltage limits (2014/35/EU).

Regal Beloit America declares that the following product(s), to which this declaration relates, are in conformity with the relevant sections of the EC standards listed below.

This statement supersedes any statements previously issued pertaining to the product(s) listed below and is subject to change without notice.

Model No : 145TTDR4354

(Model No. may contain prefix and/or suffix characters)

Catalog No : U135A

Rework No : N/A

Directives :

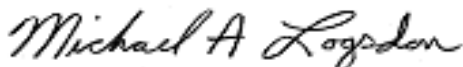
Low Voltage Directive 2014/35/EU

Harmonized Standards Used :

EN 60034-1: 2010 (IEC 60034-1: 2010)

EN 60034-5: 2001/A1:2007 (IEC 60034-5: 2000/A1:2006)

Authorized Representative:



Michael A. Logsdon
Vice President, Technology

Authorized Representative in the Community:



Julian Clark
Marketing Engineer

Created on 09/06/2022

CE 22